

Oxygen
concentrator

Elektravägen 53
SE-126 30 Hägersten, Sweden
+46 10 252 30 00
www.ozonetech.com

Dual Topaz Plus

Specifically designed for reliability, energy efficiency, and ease-of-use, there are thousands of Topaz PSA Oxygen Generators currently in use throughout the world. Generating up to 18 LPM (38 SCFH) in a compact package, at up to 95.5% oxygen concentration, the Dual Topaz Plus is a great fit for a wide range of commercial applications.



Specification

Product characteristics	
Product flow ¹	18 LPM (38 SCFH)
Product pressure	138 kPa (20 psig)
Product concentration (nominal)	93%
Product dew point	-73 °C (-100 °F)
Dimensions (W x D x H) (nominal)	102 x 48 x 119 cm (40 x 19 x 47 in)
Weight	120 kg (265 lb)
Physical connection	
Product gas outlet	¼" NPT-M/B-M size oxygen adapter
Ambient operating conditions	
	Locate the oxygen generator in a well-ventilated area that is protected from weather elements and remains between 4 °C (40 °F) and 44 °C (112 °F)
Control power requirements (single phase)	
	120V ~ ±10%, 60 Hz, 10.0 A, or 220 V ~ ±10%, 50 Hz, 5.0 A

¹ LPM (Liters per minute) gas measured at 1 atmosphere and 21 °C / SCF (Standard cubic foot) gas measured at 1 atmosphere and 70 °F.

Features

- Self-contained (includes air compressor)
- Heavy duty metal enclosure
- Quick release fittings for ease of maintenance
- Ozone/high temperature process tubing
- Advanced engineering
- Buffer tank included



© Ozonetech

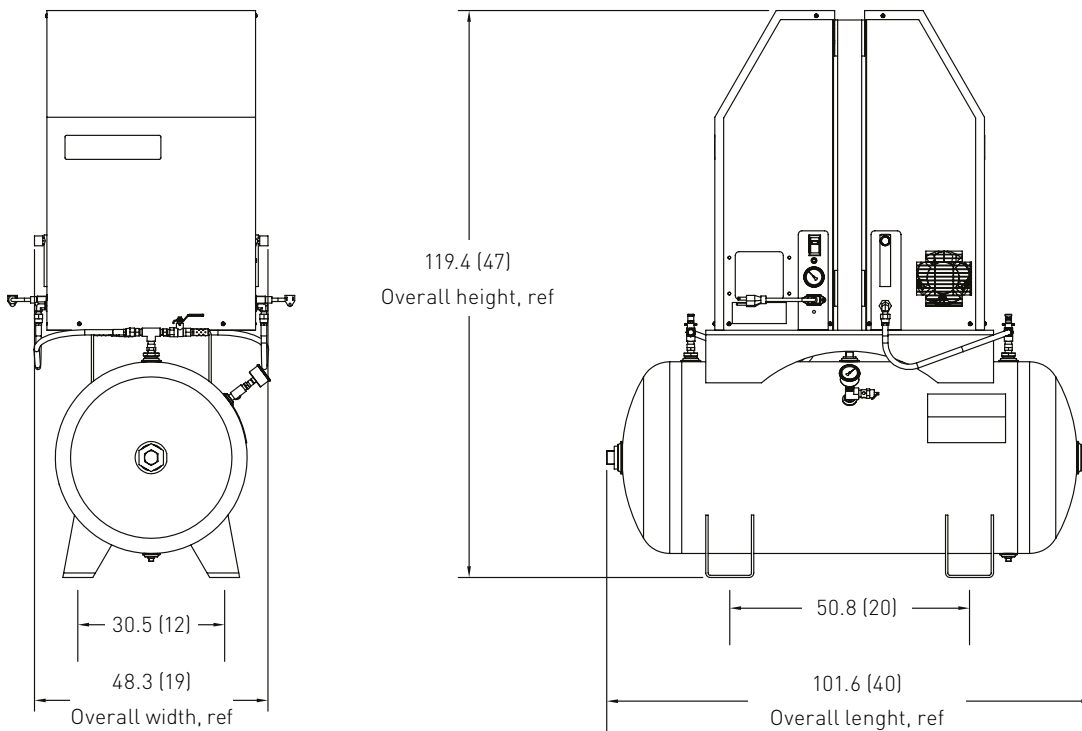
ozonetech.
a MELLIFIQ brand

Oxygen concentrator

Ordering information

Model	Part number	Description
Dual Topaz Plus	AS116-1	120 V ~ ±10%, 60 Hz
	AS116-2	220 V ~ ±10%, 50 Hz
Shipping Information		Dual Topaz Plus
Class	92.5	
Commodity Classification Number	8421.39.8040	
Dimensions (W x D x H)	122 x 102 x 150 cm (48 x 40 x 59 in)	
Gross Weight	144 kg (318 lb) with tank	

An unprotected or inadequately ventilated environment, or improper control power may cause damage to the oxygen generator. All performance ratings based on an ambient temperature up to 38 °C (100 °F), up to 304.8 meters (1,000 feet) elevation, and 80% relative humidity.



Note: All dimensions are nominal.

Elektravägen 53
SE-126 30 Hägersten, Sweden
+46 10 252 30 00
www.ozonotech.com



© Ozonotech

ozonotech.
a MELLIFIQ brand