

Oxygen
generator

Elektravägen 53
SE-126 30 Hägersten, Sweden
+46 10 252 30 00
www.ozonetech.com

AS-A

Alpha-Series Oxygen Generators produce from 0.56 to 141.58 m³ (20 to 5,000 ft³) of oxygen per hour at up to 95.5% oxygen concentration.

When electricity and a source of compressed air is supplied, these dependable machines can provide oxygen for any application.



Specification

Product characteristics	
Product flow	0.53-0.66 Nm ³ /h (20-25 SCFH) ¹
Product pressure	310-345 kPa (45-50 psig) ¹
Product concentration (nominal)	93%
Product dew point	-73 °C (-100 °F)
Dimensions (W x D x H) (nominal)	33 x 28 x 142 cm (13 x 11 x 56 in)
Weight	64 kg (140 lb)
Physical connections ²	
Compressed air inlet	¼" FNPT x ¼" NPSM
Product gas outlet	¼" FNPT JIC-8
Ambient operating conditions	
Locate the oxygen generator in a well ventilated area that is protected from weather elements and remains between 4°C (40 °F) and 40 °C (104 °F)	
Feed air requirements	
Flow rate: refer to chart on next page. Clean and dry "Plant Air" (Class 5.6.5 per ISO 8573.1) Pressure: 621 kPa (90 psig) minimum Temperature: 50 °C (122 °F) maximum	
Control power requirements (single phase)	
120 V ~ ±10%, 50/60 Hz, 1.0 A or 220 V ~ ±10%, 50/60 Hz, 0.5 A	



© Ozonetech

ozonetech.
a MELLIFIQ brand

Oxygen generator

Specification

227 Liters/60 gallon oxygen receiver characteristics

Dimensions (Dia. x H) 65 x 131 cm (26 x 52 in)

Weight 72 kg (159 lb)

¹ Nm³ (Normal cubic meter) gas measured at 1 atmosphere and 0 °C / SCF (Standard cubic foot) gas measured at 1 atmosphere and 70 °F.

² Hose and applicable adapters included with optional Factory-supplied accessory kits.

Typical applications

Medical

- Hospital systems

Manufacturing

- Thermal/chemical oxidation
- Brazing/soldering/cutting

Environmental

- Ozone (generator) feed gas
- Environmental remediation
- Waste/water treatment

Glass industry

- Glass work/manufacturing/blowing

Additional

- Fish farming

Features

- Produces oxygen from an independent compressed air source
- Microprocessor controlled
- Low operating cost
- Automatic and unattended operation
- Easy to install and maintain



© Ozonotech

Elektravägen 53
SE-126 30 Hägersten, Sweden
+46 10 252 30 00
www.ozonotech.com

ozonotech.
a MELLIFIQ brand

Oxygen generator

Ordering information

Model	Part number	Description
AS-A	AS100-1	120 V ~ ±10%, 50/60 Hz ¹
	AS100-2	220 V ~ ±10%, 50/60 Hz ¹
Accessories	TA150-1	227 Liters/60 gallon oxygen receiver
	KI410-1	Accessory kit (interconnecting hoses/ fittings and oxygen regulator)
	KI474-1	Accessory kit (oxygen hose –oxygen regulator to use point)
	KI404-1	Accessory kit (manual switch-over manifold for cylinder backup)
Shipping information	AS-A	227 Liters/60 gallon oxygen receiver
Class	92.5	70
Commodity classification number	8421.39.8040	7311.00.0000
Dimensions (W x D x H)	61 x 165 x 58 cm (24 x 65 x 23 in) with accessory kit(s), boxed 64 x 165 x 74 cm (25 x 65 x 29 in) with accessory kit(s), crated	71 x 76 x 142 cm (28 x 30 x 56 in)
Gross weight	85 kg (188 lb) with accessory kit(s), boxed 124 kg (273 lb) with accessory kit(s), crated	80 kg (177 lb)

¹ Specify oxygen flow and pressure at time of order.

An unprotected or inadequately ventilated environment, or improper control power may cause damage to the oxygen generator. All performance ratings based on an ambient temperature up to 38 °C (100 °F), up to 304.8 meters (1,000 feet) elevation, and 80% relative humidity.

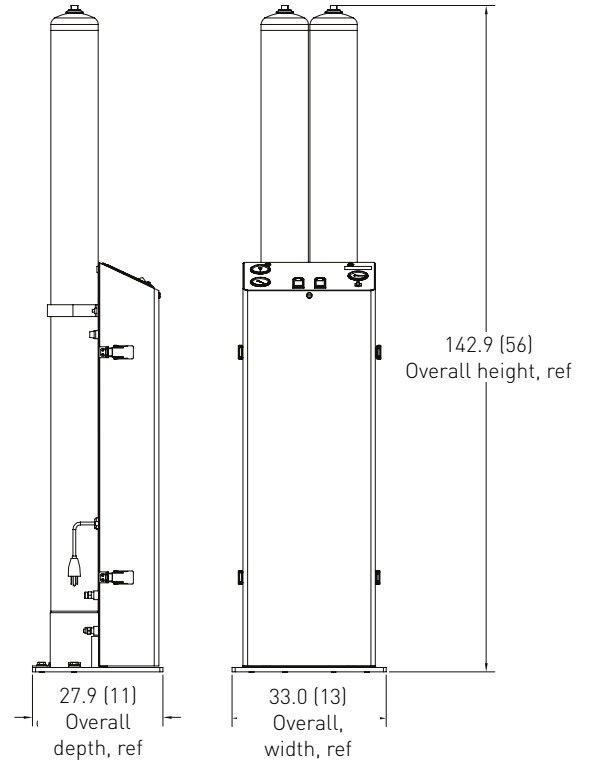
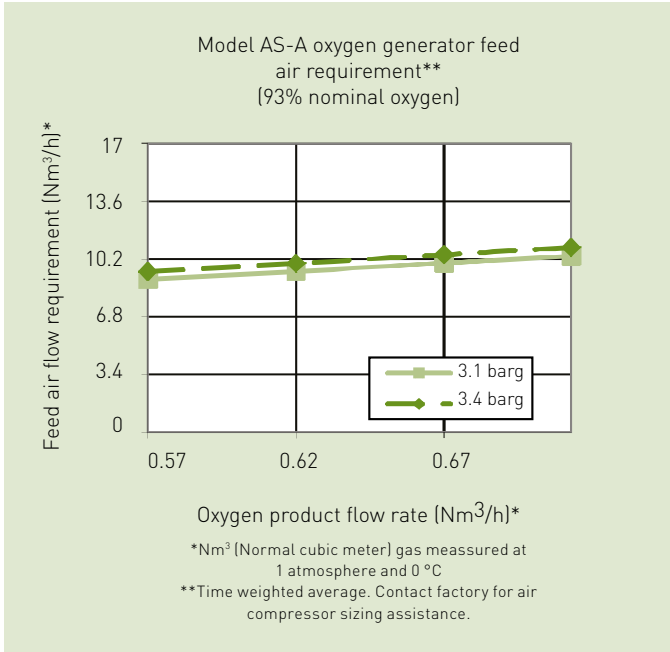
Elektravägen 53
SE-126 30 Hägersten, Sweden
+46 10 252 30 00
www.ozonotech.com



© Ozonotech

ozonotech.
a MELLIFIQ brand

Oxygen generator



Note: All dimensions are nominal

Elektravägen 53
 SE-126 30 Hägersten, Sweden
 +46 10 252 30 00
 www.ozonotech.com



© Ozonotech

ozonotech.
 a MELLIFIQ brand