

Oxygen
concentrator

Elektravägen 53
SE-126 30 Hägersten, Sweden
+46 10 252 30 00
www.ozonotech.com

Onyx series

Specifically designed for reliability, energy efficiency, and ease of use, there are thousands of Onyx PSA Oxygen generators currently in use throughout the world. The Onyx's reliability, low noise level, and ability to deliver up to 95.5% oxygen concentration make it a perfect fit for many applications.



Specification

| Product characteristics | Onyx | Onyx Plus | Onyx Ultra |
|----------------------------------|--|---|---|
| Product flow ¹ | 6 LPM (12 SCFH) | 8 LPM (17 SCFH) | 10 LPM (21 SCFH) |
| Product pressure | 62 kPa (9 psig) | 138 kPa (20 psig) | 138 kPa (20 psig) |
| Product concentration (nominal) | 93% | 93% | 93% |
| Product dew point | -73°C (-100°F) | -73°C (-100°F) | -73°C (-100°F) |
| Dimensions (W x D x H) (nominal) | 400 x 370 x 720 mm (16 x 15 x 29 in) | 400 x 370 x 720 mm (16 x 15 x 29 in) | 400 x 370 x 720 mm (16 x 15 x 29 in) |
| Weight | 23 kg (51 lb) [Add 0.4 kg (1lb) for 220 V ~ unit] | 24 kg (54 lb) [Add 0.4 kg (1 lb) for 220 V ~ unit] | 25 kg (56 lb) [Add 0.4 kg (1 lb) for 220 V ~ unit] |

Physical connection

| | | | |
|--------------------|----------------------------|----------------------------|----------------------------|
| Product gas outlet | 1/4" FNPT JIC-8 | 1/4" FNPT JIC-8 | 1/4" FNPT JIC-8 |
| Control power | 120 V ~ ±10%, 60 Hz, 5.0 A | 120 V ~ ±10%, 60 Hz, 5.5 A | 120 V ~ ±10%, 60 Hz, 6.0 A |
| Requirements | 220 V ~ ±10%, 50 Hz, 2.5 A | 220 V ~ ±10%, 50 Hz, 2.8 A | 220 V ~ ±10%, 50 Hz, 3.0 A |
| (Single phase) | 220 V ~ ±10%, 60 Hz, 2.3 A | 220 V ~ ±10%, 60 Hz, 2.5 A | 220 V ~ ±10%, 60 Hz, 2.8 A |

Ambient operating conditions Locate the oxygen generator in a well-ventilated area that is protected from weather elements and remains between 4 °C (40 °F) and 44 °C (112 °F)

¹ LPM (Liters per minute) gas measured at 1 atmosphere and 21 °C / SCF (Standard cubic foot) gas measured at 1 atmosphere and 70 °F.



© Ozonotech

ozonotech.
a MELLIFIQ brand

Oxygen concentrator

Typical applications

Manufacturing

- Jewelry/brazing/soldering

Artistic

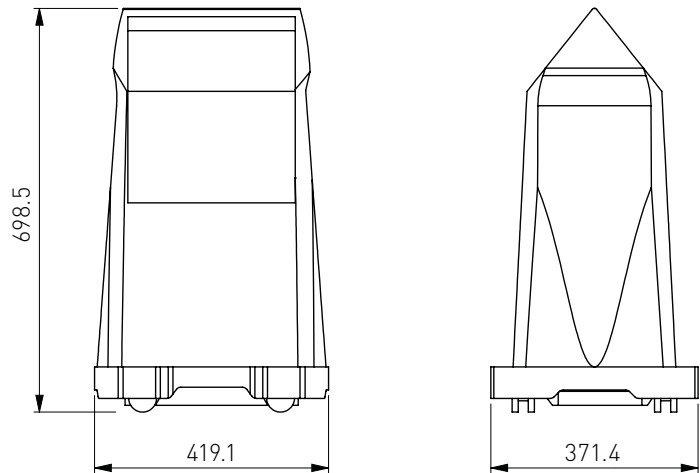
- Glass work/blowing

Environmental

- Ozone (generator) feed gas
- Environmental remediation

Additional

- Fish farming
- Oxygen bar
- Exercise with oxygen (EWOT)
- Wellness/spa



Note: All dimensions are nominal.

Features

- Self-contained (internal air compressors)
- Transportable roller base design
- High-impact polystyrene enclosure
- Easy to install and maintain
- Low operating cost
- Time-proven reliability
- Advanced engineering

Elektravägen 53
SE-126 30 Hägersten, Sweden
+46 10 252 30 00
www.ozonetech.com



© Ozonetech

ozonetech.
a MELLIFIQ brand

Oxygen concentrator

Ordering information

| Model | Part number | Description | |
|---------------------------------|---|---|---|
| Onyx | AS016-1 | 120 V ~ ±10%, 60 Hz | |
| | AS016-2 | 220 V ~ ±10%, 50 Hz | |
| | AS016-6 | 220 V ~ ±10%, 60 Hz | |
| Onyx Plus | AS017-1 | 220 V ~ ±10%, 60 Hz | |
| | AS017-2 | 220 V ~ ±10%, 50 Hz | |
| | AS017-7 | 220 V ~ ±10%, 60 Hz | |
| Onyx Ultra | AS121-1 | 120 V ~ ±10%, 60 Hz | |
| | AS121-2 | 220 V ~ ±10%, 50 Hz | |
| Shipping information | Onyx | Onyx Plus | Onyx Ultra |
| Class | 92.5 | 92.5 | 92.5 |
| Commodity classification number | 8421.39.8040 | 8421.39.8040 | 8421.39.8040 |
| Dimensions (W x D x H) | 440 x 400 x 850 mm (17 x 16 x 34 in) | 440 x 400 x 850 mm (17 x 16 x 34 in) | 440 x 400 x 850 mm (17 x 16 x 34 in) |
| Gross weight | 27 kg (60 lb) | 29 kg (63 lb) | 30 kg (66 lb) |

An unprotected or inadequately ventilated environment, or improper control power may cause damage to the oxygen generator. All performance ratings based on an ambient temperature up to 38 °C (100 °F), up to 304.8 meters (1,000 feet) elevation, and 80% relative humidity.

Elektravägen 53
SE-126 30 Hägersten, Sweden
+46 10 252 30 00
www.ozonotech.com



© Ozonotech

ozonotech.
a MELLIFIQ brand