



UVM - medium pressure systems

UV system	UVM-25-4	UVM-25-6	UVM-73-4	UVM-273-8	UVM-373-8	UVM-473-10	UVM-673-12
Performance							
Validation	N/A						
Certification	CE marked						

UV lamps and monitoring							
Lamp power	2.5 kW	2.5 kW	7.3 kW	7.3 kW	7.3 kW	7.3 kW	7.3 kW
Lamp number	1	1	1	2	3	4	6
Lamp life	9,000 hours						
Lamp design	TWISTLOK™ quick release, enhanced safety - medium pressure						
Standard UV monitoring	AT-463 (4-20 mA) - IP66						
Variable power	100% power to 50% power (variable automatic dose pacing)						

UV chamber							
Connection size (mm/inch)	DN80/3"	DN100/4"	DN80/3"	DN150/6"	DN150/6"	DN200/8"	DN250/10"
Connection type	BS4504 PN10 RF flange						
Design pressure	10 barg design (15 barg test)						
Material construction	316L stainless steel						
Internal / external finish	1.6 µm Ra / 1.6 µm Ra						
Lamp and wiper access	Dual ended	Single ended	Single ended	Single ended	Single ended	Single ended	Single ended
Quartz type	High purity quartz thimble						
Mounting	Feet						
Wiper system	Manual wiper system (optional for 1 lamp systems) / automatic wiper system (optional)						
Temperature probe	AT-487 (PT-100) - IP66						
Vent & drain ports	Yes						
Ingress protection	IP66						
Installation	Horizontal						
Chamber options	0.4 µm & 0.8 Ra internal polish upgrade / electropolish upgrade / super duplex 25% chrome steel / connection types						

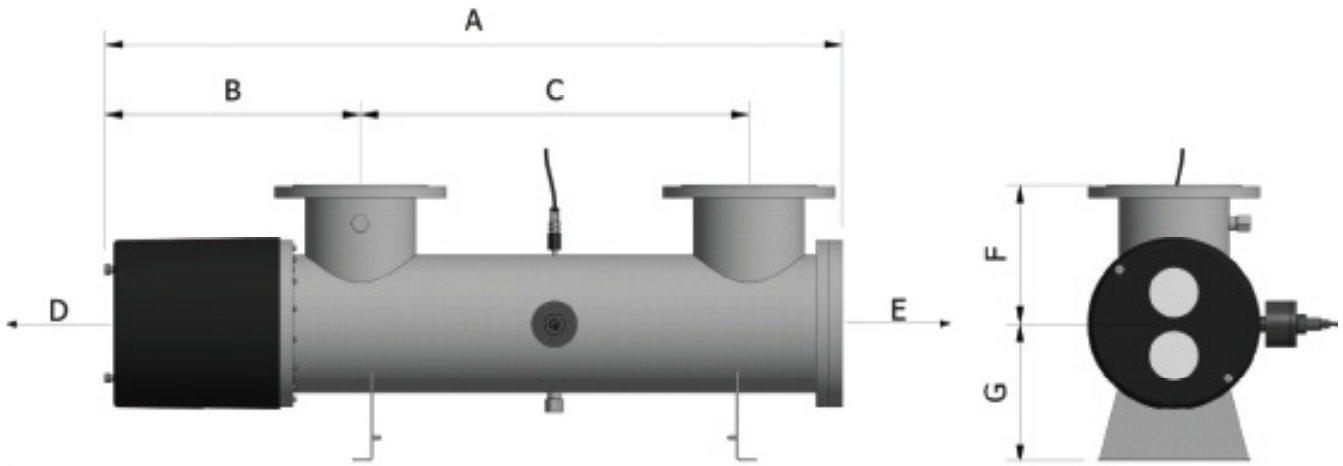


Local control cabinet

Design	Epoxy coated mild steel - IP54 standard						
Control type	Microprocessor						
Interface	Soft touch push button with simple text display / 7" touch screen HMI - full colour display (optional)						
Communication	Modbus / data stream (other fieldbus options available)						
Lamp power supply	Choke			Electronic ballast			
Power consumption	2,750 W	2,750 W	8,030 W	16,060 W	24,090 W	32,120 W	48,180 W
Mains power	400 V (other voltages available)						
Power requirements	3 phase + neutral + earth						
Frequency	50 Hz (60 Hz optional)			50 Hz / 60 Hz			
Protection	Door locked isolator, MCB & earth leakage protection						
Operating temperature	Max working ambient +45 °C						
Operational information	Please see operational data sheet						



Key footprint dimensions



UV system	UVM-25-4	UVM-25-6	UVM-73-4	UVM-273-8	UVM-373-8	UVM-473-10	UVM-673-12
Chamber dimensions							
A	1043 mm	872 mm	1643 mm	1472 mm	1472 mm	1472 mm	1477 mm
B	289 mm	453 mm	289 mm	482 mm	482 mm	506 mm	549 mm
C	320 mm	280 mm	920 mm	820 mm	820 mm	770 mm	710 mm
D	500 mm	500 mm	1100 mm	1100 mm	1100 mm	1100 mm	1100 mm
E	250 mm	250 mm	1200 mm	250 mm	250 mm	250 mm	250 mm
F	175 mm	225 mm	175 mm	250 mm	250 mm	275 mm	325 mm
G	175 mm	225 mm	175 mm	250 mm	250 mm	275 mm	325 mm
Dry weight	30 kg	45 kg	36 kg	80 kg	81 kg	112 kg	164 kg
Wet weight	35 kg	56 kg	45 kg	120 kg	119 kg	174 kg	254 kg

Dimensions							
Width	740 mm	740 mm	740 mm	740 mm	740 mm	740 mm	1000 mm
Height	760 mm	760 mm	1300 mm	1300 mm	1300 mm	1300 mm	2000 mm
Depth	290 mm	290 mm	660 mm	660 mm	660 mm	660 mm	550 mm
Weight	55 kg	55 kg	105 kg	130 kg	155 kg	180 kg	420 kg
Standard cable length	6 metres						
Maximum cable length	Other cable lengths available on request						

© Ozonotech

Elektravägen 53
 SE-126 30 Hägersten, Sweden
 +46 8 714 07 00
 www.ozonotech.com

