



## ECL - MEDIUM PRESSURE SYSTEMS

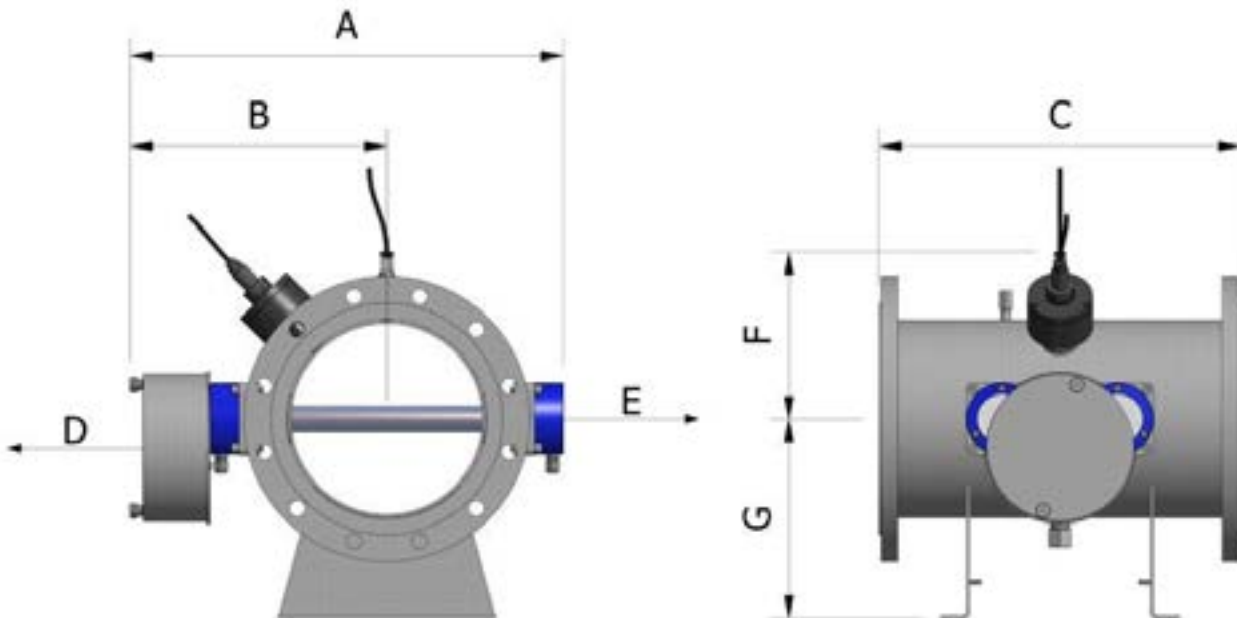
UV System	ECL-110-4	ECL-113-5	ECL-115-6	ECL-210-4	ECL-215-6	ECL-220-8	ECL-225-10	ECL-425-10	ECL-230-12	ECL-430-12
Certification	CE Marked									
<b>UV Lamps and Monitoring</b>										
Lamp Power	1.0 kW	1.3 kW	1.5 kW	1.0 kW	1.5 kW	2.0 kW	2.5 kW	2.5 kW	3.0 kW	3.0 kW
Lamp Number	1	1	1	2	2	2	2	4	2	4
Lamp Life	9,000 Hours									
Lamp Design	Medium Pressure									
Standard UV Monitoring	AT-463 (4-20 mA) IP66									
Variable Power	100% to 50% Power (automatic dose pacing)									
<b>UV Chamber</b>										
Connection Size (mm/inch)	4"	5"	6"	4"	6"	8"	10"	10"	12"	12"
Connection Type	BS4504 PN10 RF Flange									
Design Pressure	10 Barg Design (15 Barg test)									
Material Construction	316L Stainless Steel									
Internal / External Finish	1.6 µm Ra / 1.6 µm Ra									
Lamp and Wiper Access	Dual Ended									
Quartz Type	High Purity Quartz Sleeves									
Mounting	Optional					Feet				
Wiper System	Manual Wiper System (optional) / Automatic Wiper System (optional)									
Temperature Probe	AT-487 (PT-100) - IP66									
Vent & Drain Ports	Yes									
Ingress Protection	IP66 (IP54 with Auto Wiper)									
Installation	Horizontal or Vertical (Lamps must be horizontal)									
Chamber Options	0.4 µm and 0.8 µm Ra Internal Polish Upgrade / Electropolish Upgrade / Super Duplex 25% Chrome Steel / Connection Types									
<b>Local Control Panel</b>										
Design	Epoxy Coated Mild steel - IP54 Standard									
Control Type	Microprocessor									
Interface	Soft Touch Push Button with 4 Line Text Display / 7" Touch Screen HMI - Full Colour Display (optional)									
Communication	Modbus / Data Stream (other fieldbus options available)									
Lamp Power Supply	Choke									
Power Consumption	1,100 W	1,430 W	1,650 W	2,200 W	3,300 W	4,400 W	5,500 W	11,000 W	6,600 W	13,200 W
Mains Power	230 V (Other Voltages Available)			400 V (Other Voltages Available)						
Power Requirements	1 Ph + N + E			3 Ph + N + E						
Frequency	50 Hz (60 Hz Optional)									
Protection	Door Locked Isolator, MCB & Earth Leakage Protection									
Operating Temperature	Max Working Ambient +45 °C									
Operational Information	Please See Datasheet Local Control Panel									



UV System	ECL-110-4	ECL-113-5	ECL-115-6	ECL-210-4	ECL-215-6	ECL-220-8	ECL-225-10	ECL-425-10	ECL-230-12	ECL-430-12
<b>Chamber Dimensions</b>										
A	449 mm	479 mm	499 mm	449 mm	499 mm	549 mm	599 mm	599 mm	649 mm	649 mm
B	280 mm	295 mm	305 mm	280 mm	305 mm	330 mm	355 mm	355 mm	380 mm	380 mm
C	300 mm	300 mm	300 mm	500 mm	500 mm	500 mm	500 mm	700 mm	500 mm	700 mm
D	270 mm	300 mm	320 mm	270 mm	320 mm	370 mm	420 mm	420 mm	470 mm	470 mm
E	250 mm	250 mm	250 mm	250 mm	250 mm	250 mm	250 mm	250 mm	250 mm	250 mm
F	227 mm	243 mm	254 mm	192 mm	185 mm	203 mm	231 mm	231 mm	256 mm	256 mm
G	-	-	-	175 mm	225 mm	250 mm	275 mm	275 mm	325 mm	325 mm
Dry Weight	20 kg	26 kg	25 kg	32 kg	38 kg	45 kg	56 kg	70 kg	68 kg	80 kg
Wet Weight	25 kg	32 kg	32 kg	42 kg	50 kg	65 kg	84 kg	108 kg	108 kg	136 kg

<b>Spectra II - Dimensions</b>										
Width	740 mm	740 mm	740 mm	740 mm	740 mm	740 mm	740 mm	940 mm	740 mm	940 mm
Height	600 mm	600 mm	760 mm	1000 mm	1,000 mm	1,000 mm	1,000 mm	1,400 mm	1,000 mm	1,400 mm
Depth	250 mm	250 mm	290 mm	340 mm	340 mm	340 mm	340 mm	340 mm	340 mm	340 mm
Weight	55 kg	55 kg	55 kg	75 kg	75 kg	75 kg	110 kg	250 kg	130 kg	250 kg
Standard Cable Length	5 metres									
Maximum Cable Length	Other Cable Lengths Available On Request									

## KEY FOOTPRINT DIMENSIONS



© Ozonotech

Elektravägen 53  
 SE-126 30 Hägersten, Sweden  
 +46 8 714 07 00  
[www.ozonotech.com](http://www.ozonotech.com)

